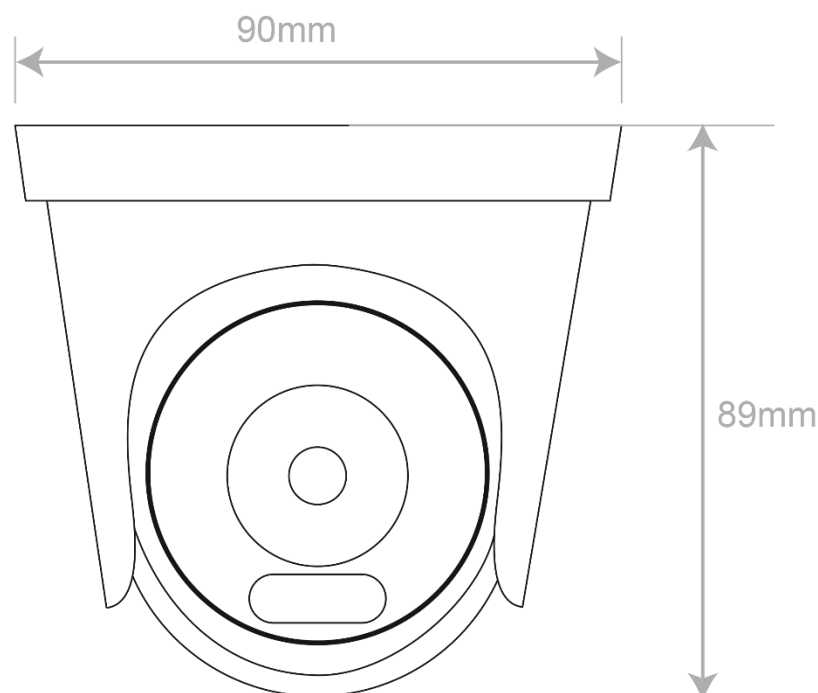


## **GRIFFIN GF-IF16PRE50SHE Network Camera**

Featured and smart, all-around 5MP surveillance



- resolution: 5 Megapixel
- Image Sensor: 1/2.8" Progressive Scan CMOS Sensor
- CPU: HiSilicon 3516EV300
- Frame Rate: 20fps@5MP(2592\*1944), 25fps@4MP, 30fps@2MP – Triple Streams
- Video Compression: H.264 / H.264+ / H.265 / H.265+
- Lens: 3.6mm Fixed Lens (2.8 mm Optional)
- Picture Function: DWDR, 2D/3D DNR, BLC, HLC, Defog, ROI
- IR Distance: 30~40m Smart IR SMD Technology
- Compatibility: Onvif Ver2.6, Profile S
- Power Supply: 12V DC / PoE IEEE802.3af
- IP Rating: IP67, 2KV Surge Protection
- Intelligent Function: Motion Detection, Video Shelter



Camera	Image Sensor	1/2.8" Progressive Scan CMOS Sensor
	DSP	HiSilicon 3516EV300
	Lens	3.6mm Fixed Lens (2.8 mm Optional)
	Resolution	2592*1944 (5MP)
	Available IR Range	30~40M Smart IR SMD Technology
	D/N Filter	IR Cut Filter Switch (ICR)
	Min Illumination	Color: 0.01 Lux(AGC on) - B/W: 0.0 Lux(IR on)
	Angle of View	H-FOV: 82°(94°) , V-FOV: 43°(69°) , D-FOV: 95°(110°)
	Night Vision	IR
Picture Adjust	Picture Function	DWDR, 2D/3D DNR, BLC, HLC, Defog, ROI
	Shutter Speed	Manual (1/3 ~ 1/10.000), Auto
	Image Parameter Control	Off, On, Timing (Adjust 0 ~ 255)
	D/N Control	Timing, Auto, Color on, Color off
	Image Parameter	Saturation, Brightness, Contrast, Sharpness, Hue
Video Audio	Video Compression	H.264+(Ultra H.264), H.265+ (Ultra H.265)
	Audio Compression	N/A
	Frame Rate(60Hz)	20fps@5MP(2592*1944), 25fps@4MP, 30fps@2MP
	Transmission Stream	Triple Stream (Video Bit Rate:11 Kbps~10 Mbps)
Network	Protocols	TCP/IP (V4, V6), ICMP, HTTP, HTTPS, DHCP, DNS, DDNS, RTP, RTSP, RTCP, NTP, UPnP, SMTP, UPnP-TM, P2P, Bonjour
	Compatibility	Onvif Ver2.6, Profile S, CGI, SDK, API
	Max Users	10 Users
	Streaming Method	Unicast, Multicast
	Web Viewer	Internet Explorer
	Recording Software	Unlimited CMS/VMS 128CH Per Monitor
	Smart Device	IOS, Android Phone & Tablet
Function	Recording	NVR, CMS, VMS
	Record Type	Manual, Motion Detection, Smart Detection, Schedule
	Alarm Triggers	N/A
	Event Action	Email, PTZ, Snapshot, Recording, Alarm Out, Buzzer, Pop up, Show Message
	Intelligent Function	Smart Motion Detection, Video Shelter
Interface	Network	RJ45(10/100mbps)
	Audio	Internal Mic (Optional)
	Alarm	N/A
	CVBS	N/A
	Power	PoE LAN, DC In
	Memory Slot	N/A
General	IP Rating	IP67, 2KV Surge Protection
	Power Supply	DC12V ± 10%
	POE Supply	IEEE802.3af - Max 6Watt
	Dimension	90*89 mm
	Weight	230 g
	Operation Humidity	Max Up to 95%RH(Non Condensing)
	Operation Temp	-30°C ~ +60°C
	MTBF	100K hrs min. MIL-HDBK-217F (25°)